

Fig. 9—Instrument Panel Speaker

**MONAURAL SYSTEM
INSTRUMENT PANEL SPEAKER (Fig. 9)**

Removal

- (1) Remove lower module assembly from instrument panel. Refer to Instrument Panel section of this manual.
- (2) When pulling module rearward disconnect wiring connector at speaker.
- (3) Remove nuts (2) securing speaker to lower module and remove speaker.

Installation

- (1) Position speaker on lower module and secure with (2) nuts.
- (2) Attach wiring connector.
- (3) Attach lower module to instrument panel.

**STEREO SYSTEM
DOOR MOUNTED SPEAKER (Fig. 10)**

Removal

- (1) Remove door trim panel.
- (2) Remove screws holding speaker.
- (3) When pulling speaker away from inner door panel, disconnect speaker wiring connector.
- (4) Remove speaker.

Installation

- (1) Connect leads to speaker.
- (2) Position speaker into place, install mounting screws and tighten securely.
- (3) Install door trim panel.

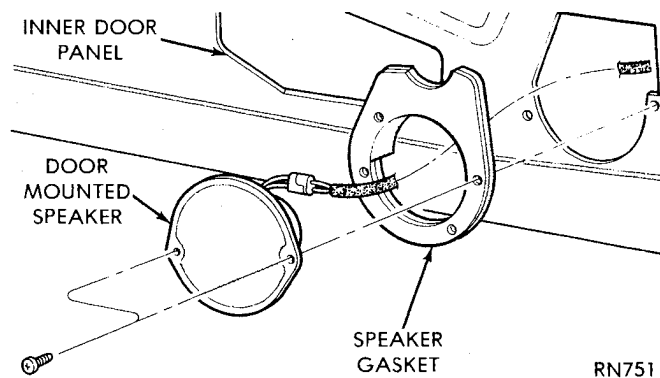


Fig. 10—Door Mounted Speaker

PILLAR MOUNTED SPEAKER (Fig. 11)

Removal

- (1) Remove "B" pillar trim panel. Refer to Body section of this manual.
- (2) When pulling trim panel away from pillar, remove wiring connector from speaker.
- (3) Remove speaker attaching screws from trim panel and remove speaker.

Installation

- (1) Secure speaker to trim panel with attaching screws.
- (2) Attach wiring connector.
- (3) Attach trim panel to "B" pillar.

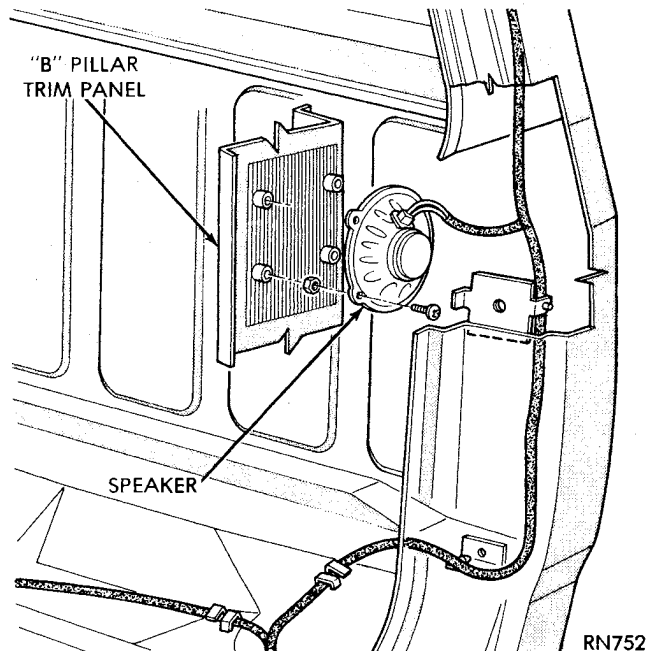


Fig. 11—Pillar Mounted Speaker