

Fig. 2—Headlamp, Power Mirror, and Overdrive Lockout Switches

Headlamp Switch, Power Mirror Switch, Overdrive Lockout Switch (Fig. 2)

Removal

- (1) Remove steering column cover (3 screws).
- (2) Remove instrument cluster bezel (10 screws).
- (3) Remove 5 screws from the switch bezel.
- (4) Pull switch and bezel assembly rearward and disconnect wiring.

(a) Pull headlamp switch knob out, push release button on right side of switch and pull knob out to separate knob and bezel from switch and mounting bracket assembly.

(b) Remove spanner nut to disengage Headlamp switch from mounting bracket.

(5) Remove headlamp switch (Fig. 3):

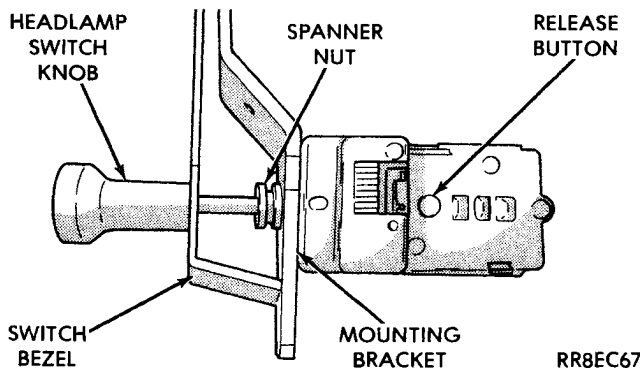


Fig. 3—Headlamp Switch Removal

(6) To remove overdrive lockout switch, depress retaining fingers on side of switch and pull out of bezel.

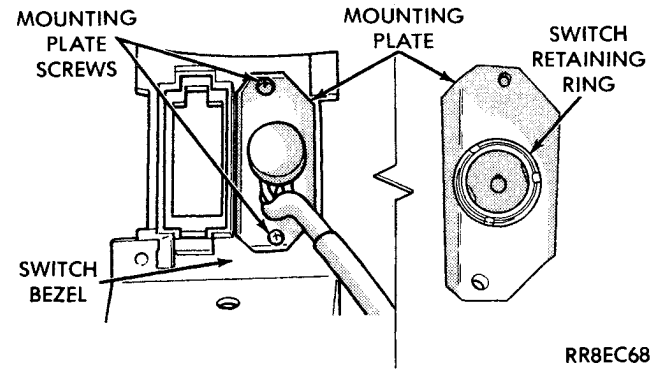


Fig. 4—Power Mirror Switch Removal

(7) To remove power mirror switch (Fig. 4):

(a) Remove power mirror switch knob by pulling straight back from switch.

(b) Remove switch mounting plate screws (2) on back side of switch bezel.

(c) Remove retaining ring holding switch to mounting plate.

For installation of switches, reverse Removal procedure.

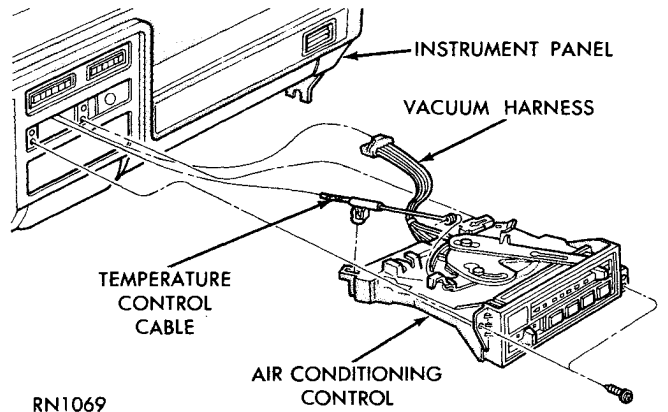


Fig. 5—A/C-Heater Control

A/C-Heater Control (Fig. 5)

Removal

- (1) Remove steering column cover.
- (2) Remove instrument cluster bezel.
- (3) Remove A/C-Heater control retaining screws.
- (4) Pull control rearward and disconnect the wiring connector, vacuum harness and temperature control cable.

For installation reverse Removal procedure.