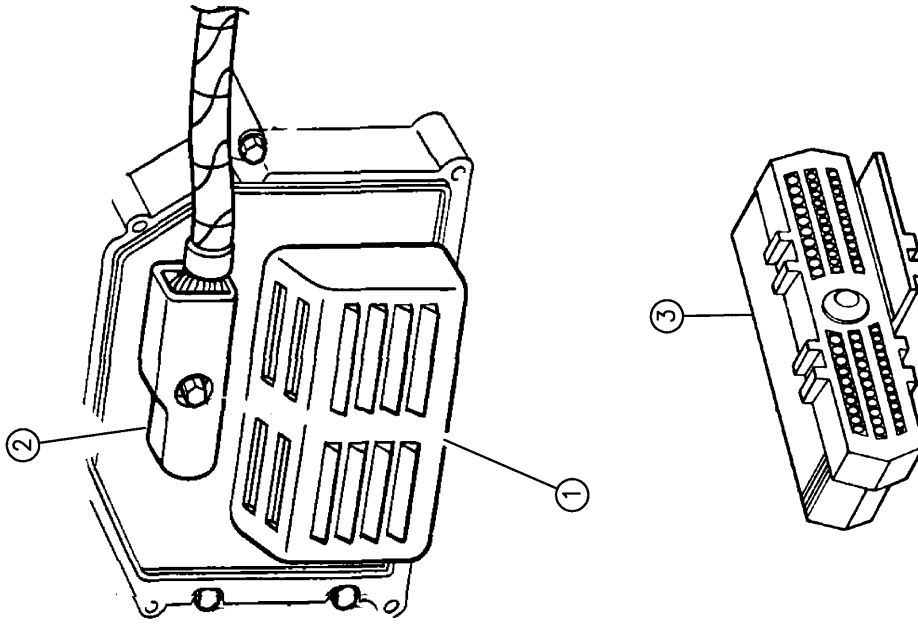


**SINGLE BOARD ENGINE CONTROLLERS N-BODY**  
**Figure 8-710**

**8-710**



ITEM	PART NUMBER	QTY	BODY	MODEL	DESCRIPTION
1					S.B.E.C. *** 2.5L, Man. Trans. 1994-95 w/RFI 1994-95 1996, 2.5L, All 3.9L, Man. Trans. 1994 1995 1996, 3.9L, Man. Trans., w/Catalyst 3.9L, Man. Trans., w/o Catalyst, w/RFI 1994 1995 1996, 3.9L, Man. Trans., w/o Converter 3.9L, Auto. Trans., w/RFI 1994 1995 1996, 3.9L, Auto. Trans., w/Catalyst 5.2L, Man. Trans. 1994 1995 1996, 5.2L, Man. Trans., w/catalyst 5.2L, Auto. Trans. 1994 1995 1996, 5.2L, Auto. Trans., w/Catalyst, Std. Cab 1996, 5.2L, Auto. Trans., w/Catalyst, Ext. Cab 5.2L, Auto. Trans., w/o Catalyst 1994 1995 5.2L, Natural Gas, 1996 COVER, Serv. w/Headlamp To Dash Wire INSULATOR, S.B.E.C.
	5300 8921	1			
	5602 7623	1			
	5604 0759	1			
	5602 8249	1			
	5602 8338	1			
	5604 0760	1			
	5602 7215	1			
	5602 8391	1			
	5604 0761	1			
	5602 8219	1			
	5602 8340	1			
	5604 0762	1			
	5602 8263	1			
	5602 8342	1			
	5604 0766	1			
	5602 8261	1			
	5602 8344	1			
	5604 0767	1			
	5604 0768	1			
	5602 7217	1			
	5602 8403	1			
	5604 0769	1			
2	4419 492	1			
3					

**MODEL CODES:**  
N1 = MID SIZE PICK-UP (4x2)  
B1,2,3 = VANS AND WAGONS (4x2)  
R1,2,3 = (T300) CONVENTIONAL TRUCK (4x2)  
**BODY STYLE & WHEELBASE:**  
VANS WAGONS  
(11) = 109" W.B. (51) = 109" W.B.  
(12) = 127" W.B. (52) = 127" W.B.  
(13) = 127X" W.B. (53) = 127X" W.B.  
CONVENTIONAL-BR  
(61) = 116.7" W.B.  
(62) = 134.7" W.B.  
(63) = 138.7" W.B. Cab & Chassis)  
(64) = 162.7" W.B. Cab & Chassis)  
(31) = 138.7" W.B. (Club Cab)  
(32) = 154.7" W.B. (Club Cab)  
N-TRUCK  
(31) = 130.9" W.B. (Club Cab)  
(61) = 111.9" W.B.  
(62) = 123.9" W.B.

**94308 710**

AR = Use as Required \* = Non Illustrated Part. P.A.R. = Paint as Required