

- (3) Remove trim panel, and watershield.
- (4) Working through access hole remove linkage and mounting plate to remove control.
- (5) Remove remote control.

Installation

- (1) Slide remote control mounting plate through

access hole and into door.

- (2) Connect linkage and install screws to remote control assembly.
- (3) Install remote control handle and adjust forward to eliminate excess handle travel.
- (4) Install trim panel, remote and regulator handle.

GLASS SYSTEMS

INDEX

	Page		Page
Door Glass	10	Installation	10
Removal	10	General Information	10

GENERAL INFORMATION

Figure 1 is meant to serve as an index or component guide. It is meant to show component name and location. Service procedures on individual components can be found in this section also. Use (Fig. 1) as a tool to identify the part and its location on or in the door assembly.

Care should be exercised to keep all undercoating or rustproofing materials away from door components. A significant cause of door system malfunction is contamination by rust prevention materials.

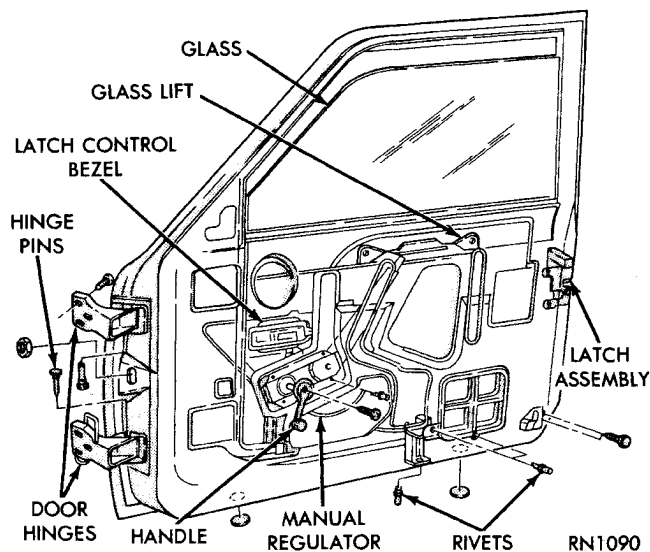


Fig. 1—Door Assembly

DOOR GLASS

Removal and Installation

- (1) Remove trim panel, using procedures given within this group.
- (2) Remove watershield as necessary.
- (3) Move glass down.
- (4) Remove screws from door belt moulding.
- (5) Remove moulding.

CAUTION: Failure of rear glass run channel is possible if glass is removed without using Miller Tool No. C-4867 or equivalent.

- (6) Use Tool C-4867 to disengage glass sliders from rear glass guide.
- (7) Rotate glass on the regulator roller, slide glass rearward and up at a 45° angle, and remove glass.
- (8) After glass is removed, drill out rivets from lift channel.
- (9) Install new rivets or bolts to new glass.
- (10) Reverse this procedure to install after lift channel and sliders have been transferred to new glass.