

Fig. 2 Temperature Control Cable

(4) Remove heater A/C control. Then squeeze the attaching flag which holds the cable to the control and remove the cable (Fig. 3).

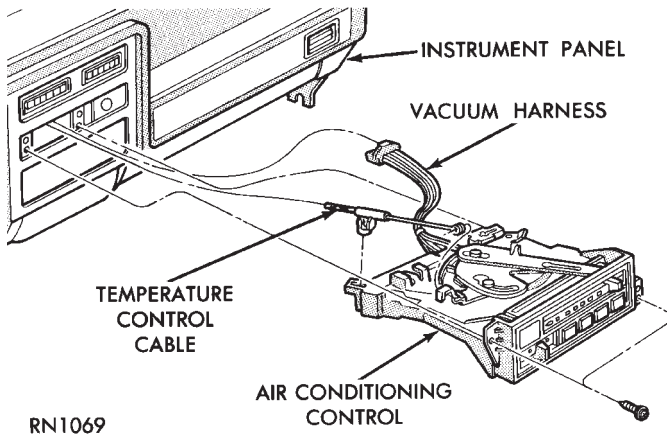


Fig. 3 Temperature Control Cable

(5) Remove self-adjusting clip by inserting a 3/16 diameter tool (drill bit or phillips screwdriver shank, Fig. 2 - Inset) into the crank hole. Rotate the clip from the cable.

INSTALLATION

To install, reverse the preceding operation. To Adjust Temperature Cable, position the TEMP lever on the control to the cool side of its travel. Allowing the self adjusting clip to slide on the cable, rotate the blend-air door crank counterclockwise by hand until it stops.

MODE DOOR VACUUM ACTUATOR

REMOVAL

- (1) Disconnect the vacuum line.
- (2) Locate and remove 2 vacuum actuator attaching bolts (Fig. 4).
- (3) Disengage drive linkage from mode door crank and remove the actuator.

INSTALLATION

- (1) Connect the drive linkage to mode door crank.

- (2) Position the actuator onto the heater A/C housing.
- (3) Install and tighten the 2 vacuum actuator attaching bolts.
- (4) Connect the vacuum line.

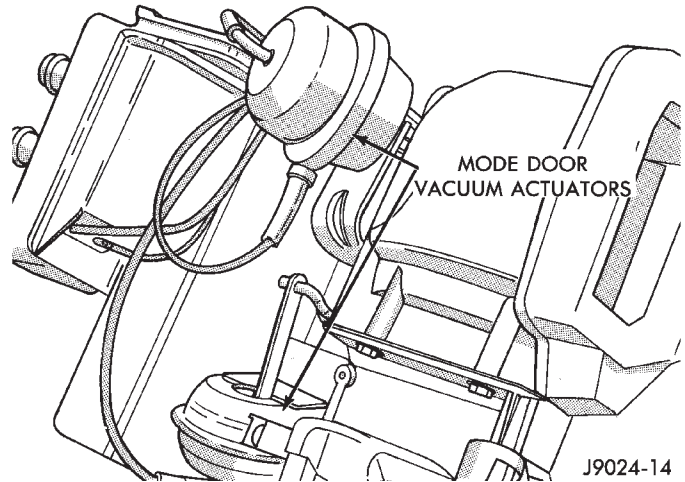


Fig. 4 Mode Door Vacuum Actuators

RECIRCULATING AIR VACUUM ACTUATOR

REMOVAL

- (1) Disconnect the vacuum line.
- (2) Remove 2 vacuum actuator attaching nuts (Fig. 5).
- (3) Disengage drive linkage from recirculating air-door pivot.
- (4) Remove the actuator from the heater A/C housing.

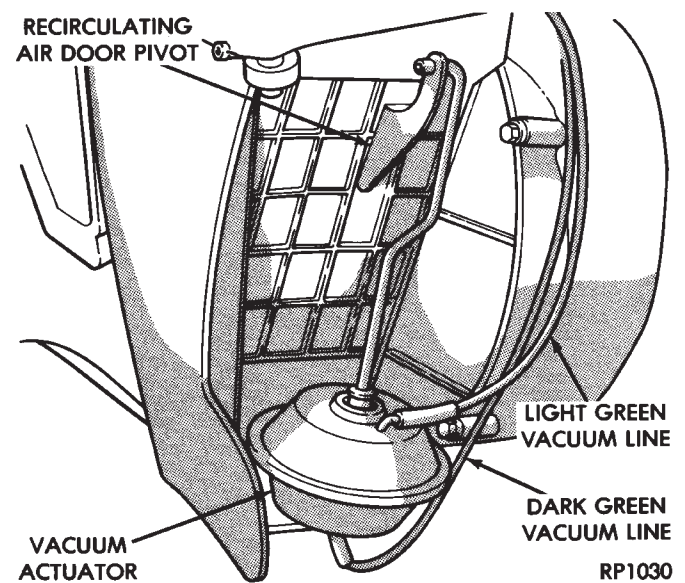


Fig. 5 Recirculating Air Door Vacuum Actuator

INSTALLATION

- (1) Connect the drive linkage to recirculating air-door pivot.
- (2) Position the actuator on to the housing.