

Fig. 5—Fuel System Components 3.9L Engine

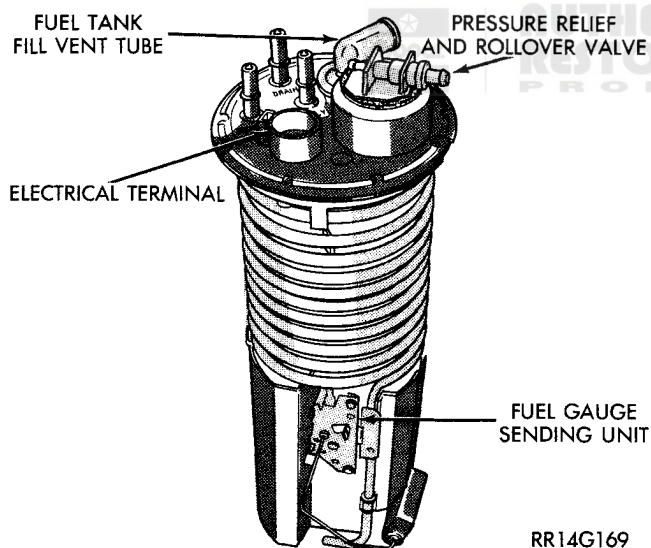


Fig. 6—Fuel Pump

FUEL PUMP (FIG. 6)

Removal

It is necessary to remove fuel tank from vehicle to replace fuel pump. Follow fuel tank removal procedure.

(1) Hold the fuel pump module down while loosening the holding clamp. (It is under a slight spring pressure (Fig. 7).

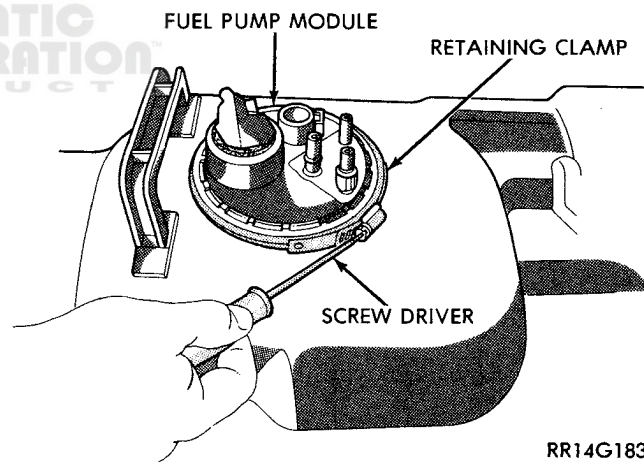


Fig. 7—Servicing Fuel Pump

- (2) Once clamp is loosened. Release the module and it will spring up from its position.
- (3) Remove module from tank.