

IGNITION SWITCH

INDEX

	page		page
General Information	31	Ignition Switch and Key Cylinder Service	31

GENERAL INFORMATION

The ignition switch is located in the steering column. The Key-In-Switch and Halo Light are integral with the ignition switch. Refer to Group 8M for Key-In-Switch and Halo Light diagnosis.

IGNITION SWITCH AND KEY CYLINDER SERVICE

REMOVAL

- (1) Disconnect negative battery cable.
- (2) Tilt column: Remove tilt lever (counterclockwise).
- (3) Remove upper and lower shrouds (Fig. 1).

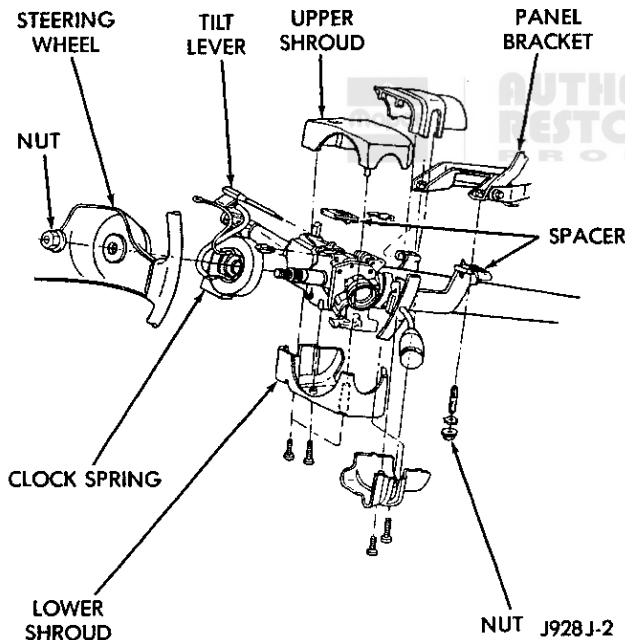


Fig. 1 Shroud Removal/Installation

(4) Remove ignition switch mounting screws (Snap-on torx bit tool TTXR20B0 or equivalent required—Fig. 2).

(5) Gently pull switch away from the column. Release two connector locks on the 7-terminal wiring connector. Remove the connector from the ignition switch.

(6) Release connector lock on the Key-In-Switch and Halo Light 4-terminal connector. Remove the connector from the ignition switch.

(7) Remove the key cylinder from the ignition switch as follows:

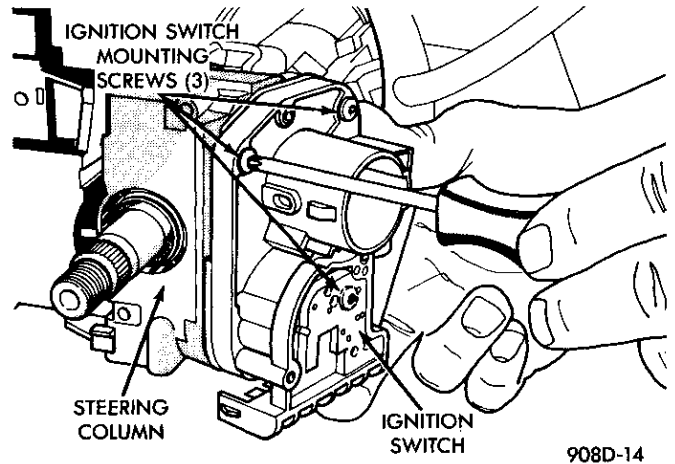


Fig. 2 Ignition Switch Screw Removal

(a) With the key inserted and the ignition switch in the lock position, proceed as follows: Use a small screwdriver to depress the key cylinder retaining pin flush with the key cylinder surface (Fig. 3).

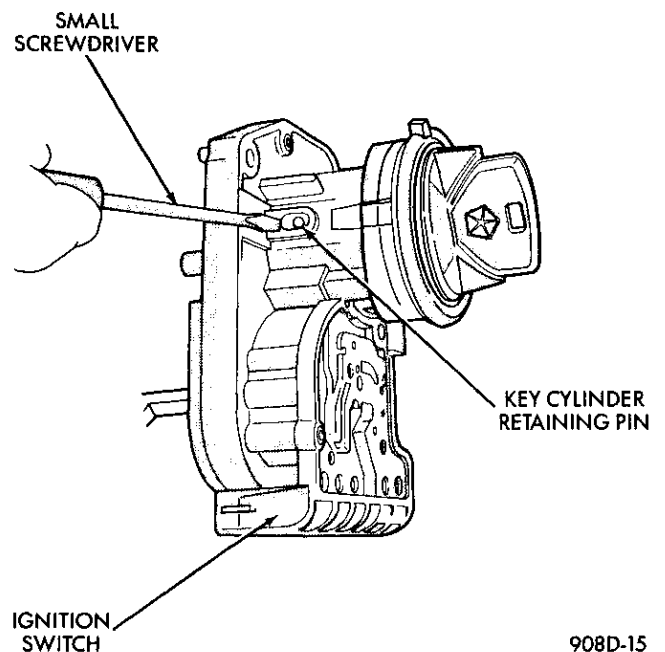


Fig. 3 Key Cylinder Retaining Pin

(b) Rotate the key clockwise to the Off position. The key cylinder should now be unseated from the ignition switch assembly (Fig. 4).

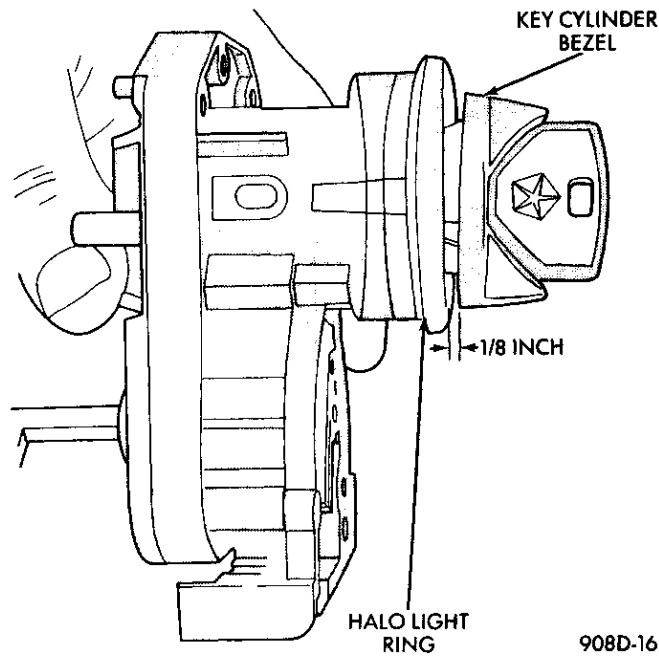


Fig. 4 Unseated Key Cylinder

CAUTION: Do not remove key cylinder at this time.

(c) With key cylinder in unseated position (key cylinder bezel about 1/8 inch above ignition switch halo light ring), proceed as follows: Rotate the key counterclockwise to the Lock position and remove the key.

(d) Remove key cylinder (Fig. 5).

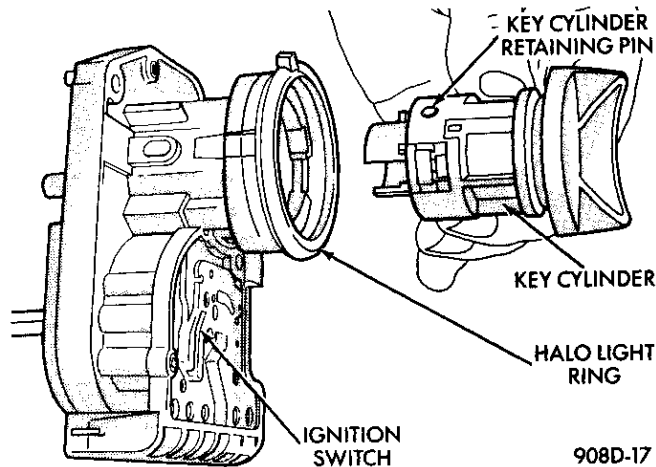


Fig. 5 Key Cylinder Removal

INSTALLATION

(1) Install electrical connectors to switch. Make sure that the switch locking tabs are fully seated in the wiring connectors.

(2) Mount ignition switch to the column (Fig. 6).

Column shift columns: Shifter must be in Park position. Park-lock dowel pin on ignition switch assembly must engage with column park-lock slider

linkage (Fig. 7). Verify ignition switch is in lock position (flag is parallel with the ignition switch terminals) (Fig. 6). Apply a dab of grease to flag and pin. Position park-lock link and slider to mid-travel. Position ignition switch against lock housing face. Be sure pin is inserted into park-lock link contour slot. Tighten retaining screws to 2 N·m (17 in. lbs.) torque.

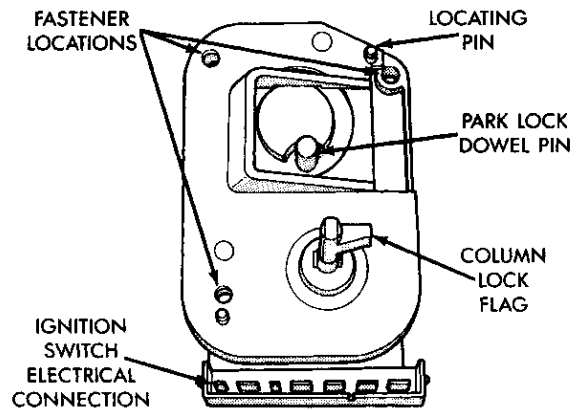


Fig. 6 Ignition Switch View From Column

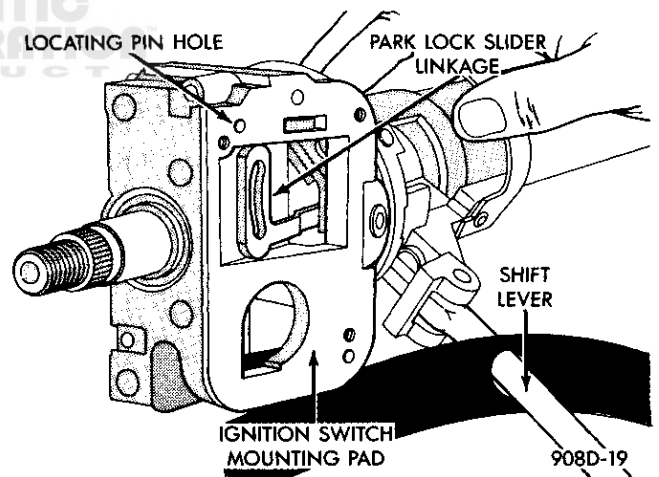


Fig. 7 Ignition Switch Mounting Pad

(3) Assemble shrouds to the column (Fig. 1). Tighten retaining screws to 2 N·m (17 in. lbs.) torque.

(4) Tilt column: Install tilt lever (clockwise).

(5) Install negative battery cable.

(6) Install key cylinder.

(a) With key cylinder and ignition in lock position, gently insert key cylinder into ignition switch assembly until it bottoms.

(b) Insert key. While gently pushing on the key cylinder (inward) toward the ignition switch, rotate key clockwise to end of travel.

(7) Check for proper operation of push-to-lock, halo lighting, Accessory, Lock, Off, Run, Start, column lock and shift lock (if applicable).