

REMOVAL AND INSTALLATION (Continued)

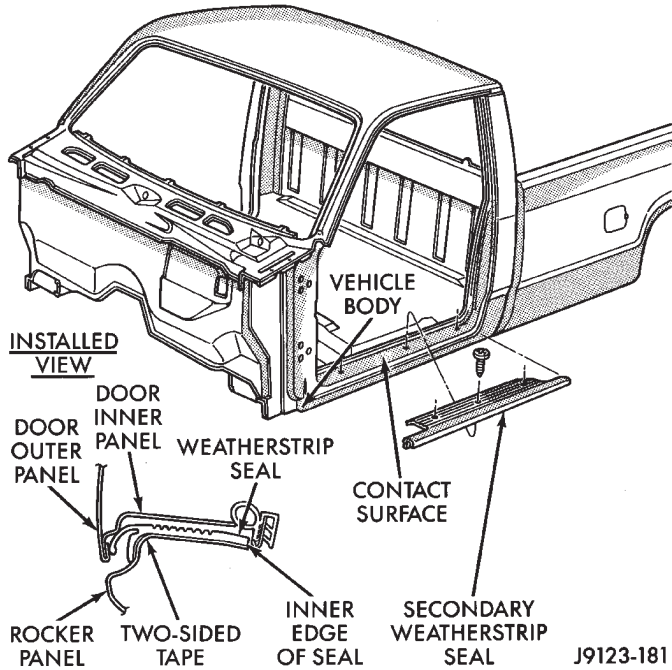


Fig. 32 Door Secondary Seal

- (4) Apply pressure to seal at the area of the tape to adhere the tape to the rocker panel/door sill.
- (5) Attach the seal to the door sill with the screws. Tighten the screws securely.

QUARTER VENT WINDOW

REMOVAL

- (1) Remove the latch retaining screws from the cab rear side panel (Fig. 33).
- (2) Remove the frame/hinge retaining nuts from the B-pillar.
- (3) Remove the window glass from the cab.
- (4) If necessary, remove the latch and frame/hinge from the glass.

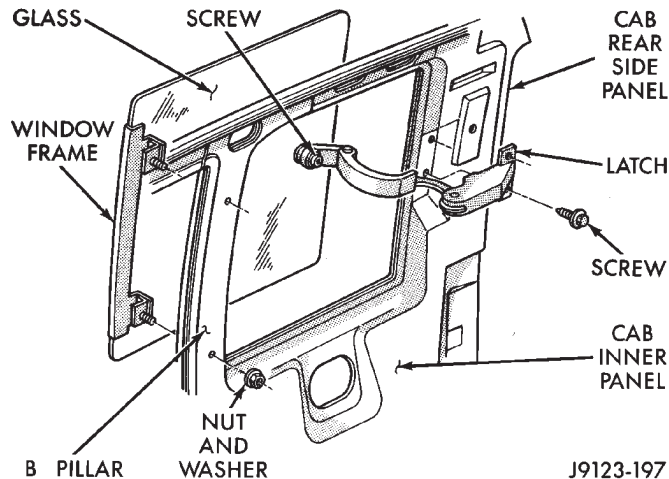


Fig. 33 Quarter Vent Window Removal/Installation

INSTALLATION

- (1) If removed, install the latch and frame/hinge on the glass.
- (2) Position the window glass at the opening, insert the hinge studs in the B-pillar holes, and install the retaining nuts. Tighten the nuts to 11 N-m (95 in. lbs.) torque.
- (3) Attach the latch to the rear side panel with the screws. Tighten the screws to 11 N-m (95 in. lbs.) torque.
- (4) Test the vent window for water leaks.

QUARTER VENT WINDOW WEATHERSTRIP SEAL

REMOVAL

- (1) Remove the window.
- (2) Pull the seal away from the flange around the perimeter of the window opening (Fig. 34).
- (3) Clean the flange, as necessary.

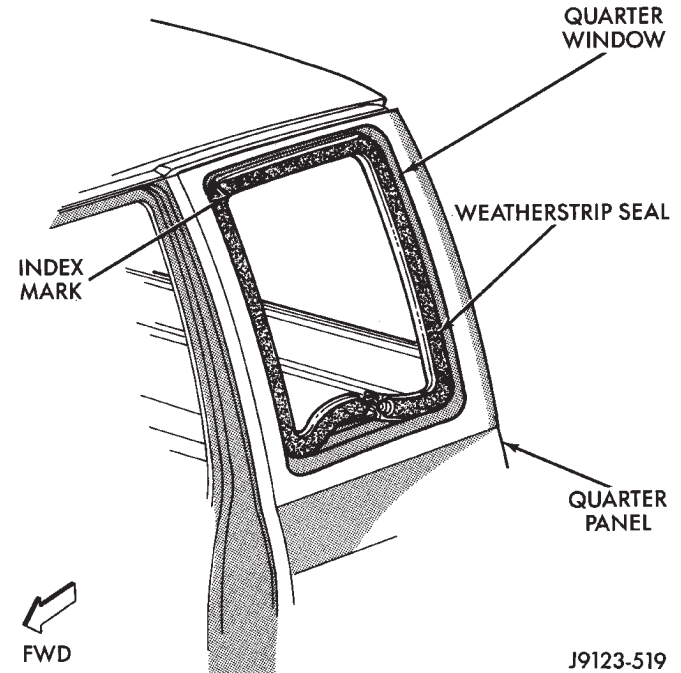


Fig. 34 Weatherstrip Seal Removal/Installation

INSTALLATION

- (1) Position the index mark at the front, top corner and install the seal around the perimeter of the window opening.
- (2) Mate the seal with the front, vertical flange.
- (3) Move upward and mate the seal with the top flange.
- (4) Mate the seal with the rear, vertical flange.
- (5) Center and butt the seal ends together at the bottom, centerline of the opening.
- (6) Mate the seal with the bottom flange.