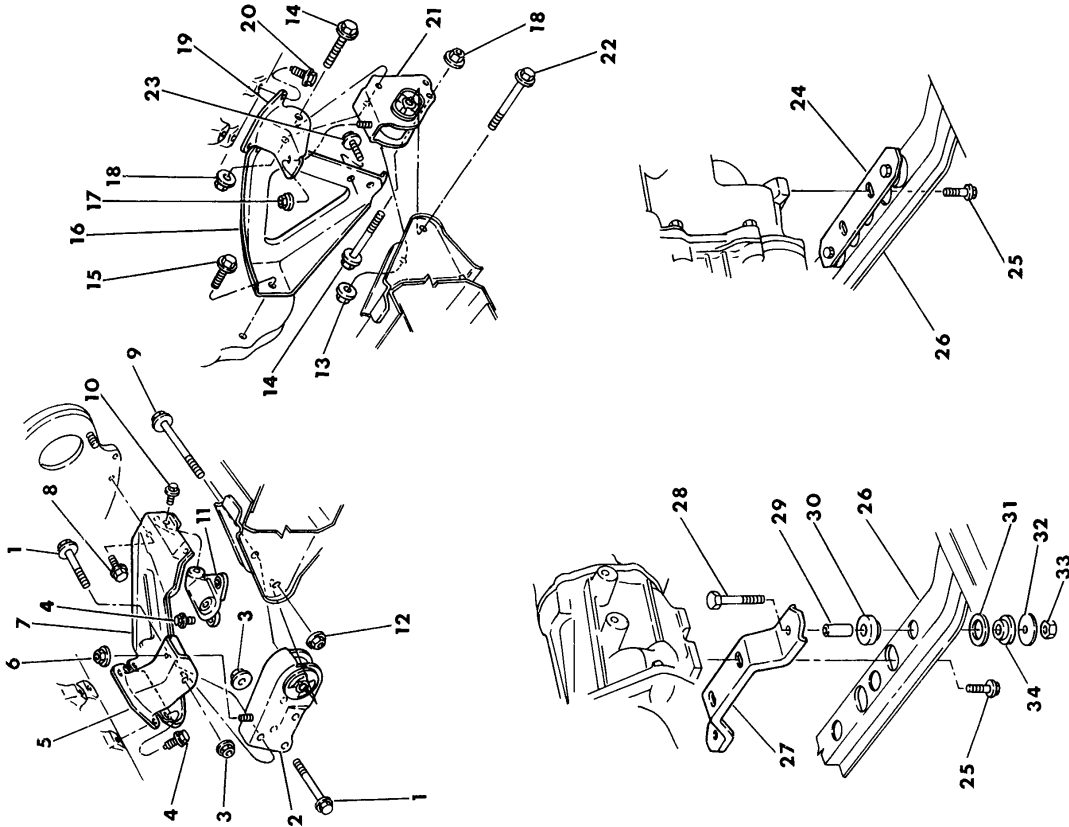


ENGINE MOUNTING (N5) 3.9L ENGINE
Figure 9B-1100

8356 1100



ITEM	PART NUMBER	QTY	BODY	MODEL	DESCRIPTION
1		3			SCREW, w/Washer, (1/2-13x3.38) (Not Serviced)
2	4348 557	1			BRACKET, w/Isolator, Engine to Axle, Left
3	0219 467	3			NUT, w/Washer, Engine Support to Bracket Isolator Axle, Left (1988)
4	6025 022	3			Left (1989)
5	6033 139	3			SCREW, w/Washer, (3/8-16x1.12)
6	4348 555	1			BRACKET, Engine Front Support, Left
7	6025 011	1			SCREW, Weld Front Engine Mount (Not Serviced)
8	4412 121	1			NUT, w/Washer, Engine Support Bracket to Engine Mount, Left
9	5200 4587	1			BRACKET, Pinion Nose to Trans. and Engine Block Up to 5-15-89
10	6031 205	1			After 5-15-89
11	6033 358	2			SCREW, w/Washer, (7/16-14x1.75) (Not Serviced)
12	#4412 122	1			BOLT, w/WASHER, (1/2-13x5.50)
13	5200 4588	1			SCREW, w/Washer, (7/8-14x1-1/4)
14	6030 478	1			ADAPTER, Pinion Nose Up to 5-15-89
15	6030 478	1			After 5-15-89
16	#4412 120	1			NUT, Engine Mount Thru Bolt, Left
17	5200 4586	1			After 5-15-89
18	6025 011	1			NUT, w/Washer, Engine Support Bracket to Engine Mount, Right
19	0219 467	3			NUT, w/Washer, Bracket Engine Axle Isolator to Axle, Right (1988)
20	6025 022	3			Right (1989)
21	4412 102	1			BRACKET, Engine Front Support, Right
22	6033 139	6			SCREW, Weld Front Engine Mount (Not Serviced)
23	4412 104	1			SCREW, w/Washer, (3/8-16x1.12)
24	6031 205	1			BRACKET, w/Isolator Eng. to Axle, Right
25	4412 162	1			BOLT, w/Washer, (1/2-13x5.50)
26	6033 383	2			SCREW, w/Washer, (7/16-14x1.75) (Not Serviced)
27					BRACKET, Rear Mount Support w/Manual Trans.
28					SCREW, w/Washer, Rear Engine Support Bracket to C/Member

MODEL CODES TRUCK LINE
 B = VANS AND WAGONS (4X2)
 D123 = CONVENTIONAL TRUCK (4X2)
 D4 = SPORT UTILITY (4X2)
 D5.6.7 = CONVENTIONAL TRUCK (4X4)

BODY STYLE & WHEELBASE
 (02) = 127" W.B.
 (04) = 145" W.B.
 (05) = 163" W.B.

WAGONS:
 (02) = 127
 (04) = 145
 (05) = 163

VANS:
 (11) = 109" W.B.
 (12) = 127" W.B.

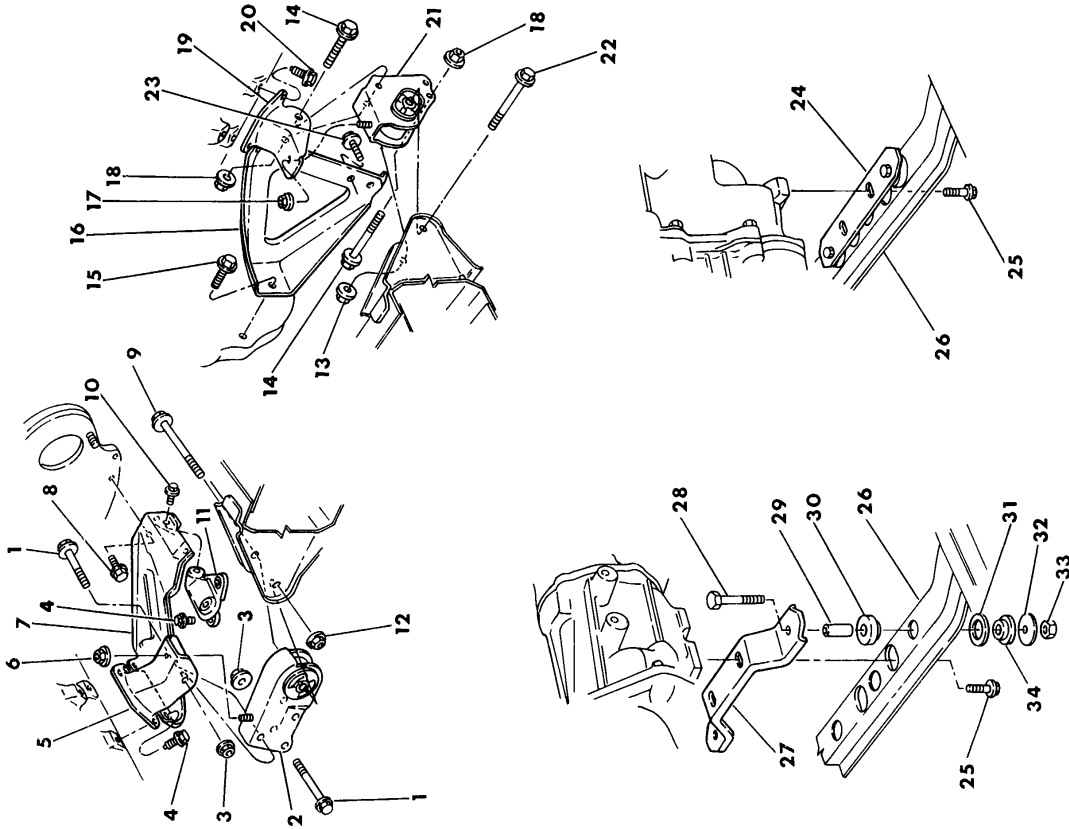
CONVENTIONAL:
 (61) = 115" W.B. (D/W)
 (62) = 131" W.B. (D/W)
 (63) = 135" W.B.
 (64) = 159" W.B.
 (61) = 111.9" W.B. (N)
 (62) = 123.9" W.B. (N)

SPORT UTILITY:
 (71) = 106" W.B.
 CREW CAB:
 (82) = 149" W.B.
 (83) = 165" W.B.

AR = Use as Required - = Non Illustrated Part. P.A.R. = Paint as Required

ENGINE MOUNTING (N5) 3.9L ENGINE
Figure 9B-1100

8356 1100



ITEM	PART NUMBER	QTY	BODY	MODEL	DESCRIPTION
26		1			(See Group 13)
27	4412 163	1			BRACKET, Rear Mount Support w/3 Speed w/o Overdrive Automatic Trans. (1988)
28	4412 166	1			w/3 Speed & Overdrive Automatic Trans.
29	0271 885	2			BOLT, (5/8-11x3-1/4-Hex)
30	3820 921	2			SPACER (Not Serviced)
31	6032 841	2			INSULATOR, Engine Rear Support Trans. Upper
32		2			WASHER, Rear Engine Mount Support
33	0152 352	2			WASHER (Not Serviced)
34	4106 710	2			NUT, w/Washer, Rear Engine Mount
					INSULATOR, Engine Rear Support Trans. Lower

MODEL CODES TRUCK LINE	DB = SPORT UTILITY (4X4)
B = VANS AND WAGONS (4X2)	N1 = MID SIZE PICK-UP (4X2)
D123 = CONVENTIONAL TRUCK (4X2)	T = FRONT SECTION (4X2)
D4 = SPORT UTILITY (4X2)	
D5.6.7 = CONVENTIONAL TRUCK (4X4)	

BODY STYLE & WHEELBASE	WAGONS:	CONVENTIONAL:	SPORT UTILITY:
(02) = 127" W.B.	(02) = 127	(61) = 115" W.B. (DW)	(71) = 106" W.B.
(04) = 145" W.B.	(04) = 145	(62) = 131" W.B. (DW)	
(05) = 163" W.B.	(05) = 163	(63) = 135" W.B.	CREW CAB:
	(51) = 109" W.B.	(64) = 159" W.B.	(82) = 149" W.B.
VANS:	(52) = 127" W.B.	(61) = 111.9" W.B. (N)	(83) = 165" W.B.
(11) = 109" W.B.	(53) = 127" W.B.	(62) = 123.9" W.B. (N)	
(12) = 127" W.B.			

AR = Use as Required - = Non Illustrated Part P.A.R. = Paint as Required