

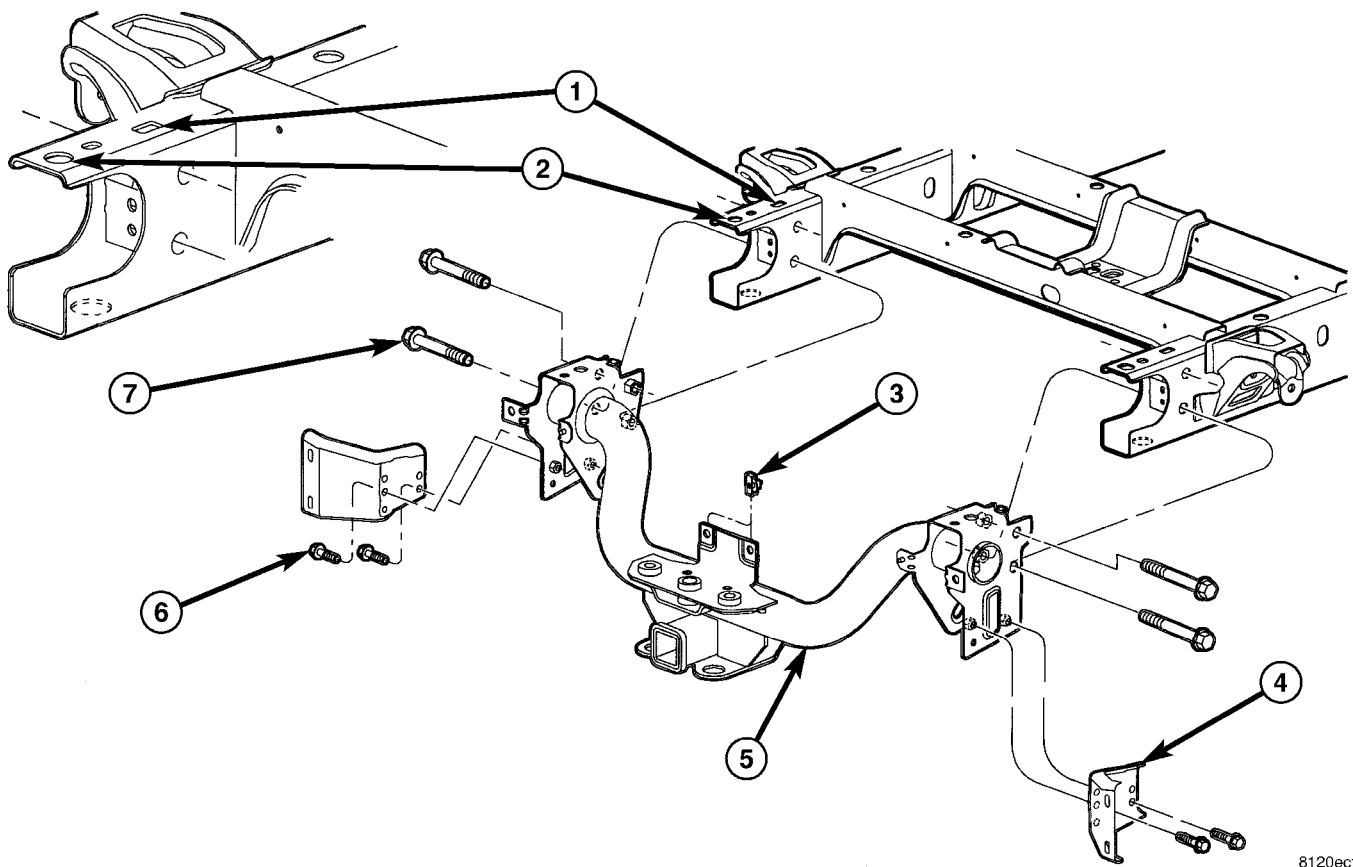
## TRAILER HITCH

### REMOVAL

- (1) Remove the rear bumper. (Refer to 13 - FRAME & BUMPERS/BUMPERS/REAR BUMPER - REMOVAL)
- (2) Remove the hitch bolts. (Fig. 35) and (Fig. 36)
- (3) Disconnect all wire harness support push pins.
- (4) Remove the rear two cargo box bolts and loosen the remaining bolts. (Refer to 23 - BODY/EXTERIOR/CARGO BOX - REMOVAL)
- (5) Using a suitable lifting device, lift and support the rear of the cargo box and remove the hitch.

### INSTALLATION

- (1) Install the hitch onto the frame rails and make sure the locators on the inside of the hitch brackets are engaged with the holes in the top of the frame rails properly.
- (2) Lower the cargo box and install the rear bolts. (Refer to 23 - BODY/EXTERIOR/CARGO BOX - INSTALLATION)
- (3) Install the hitch bolts and tighten to 170 N·m (125 ft. lbs.).
- (4) Connect all wire harness support push pins.
- (5) Install the rear bumper. (Refer to 13 - FRAME & BUMPERS/BUMPERS/REAR BUMPER - INSTALLATION)



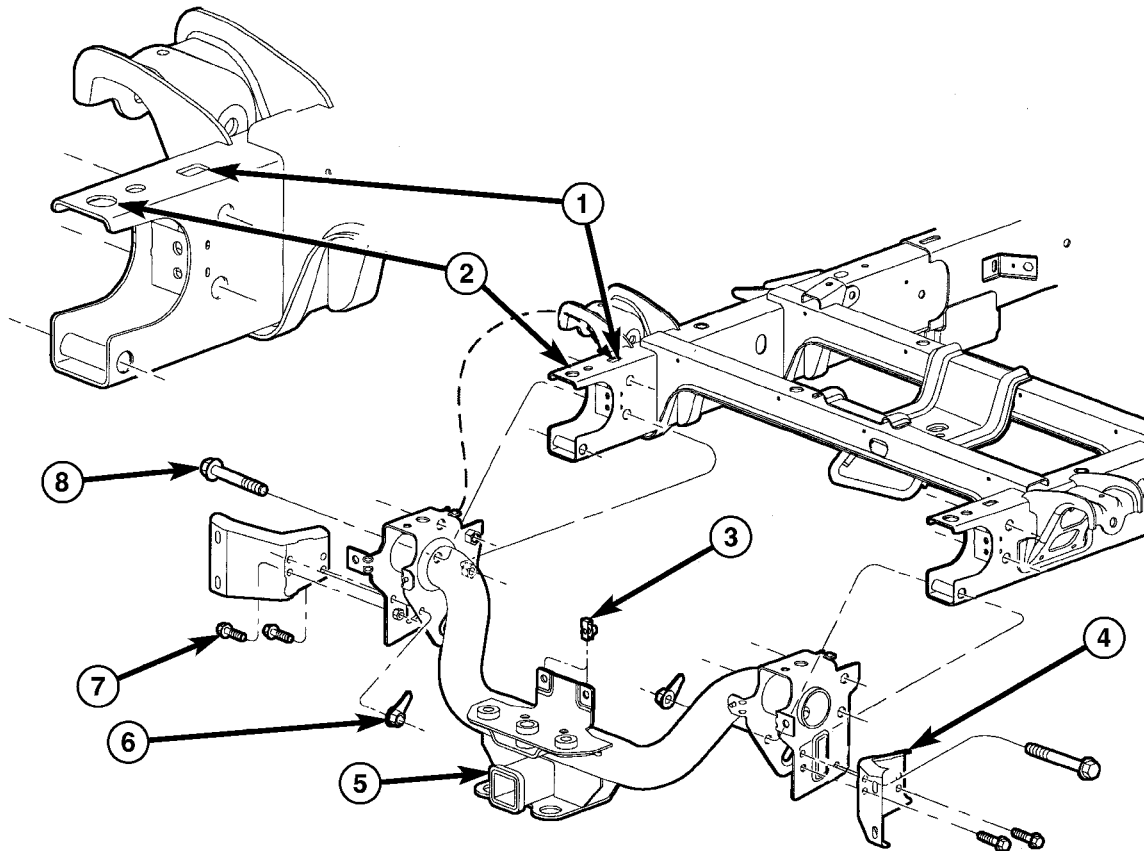
8120ecf4

**Fig. 35 TRAILER HITCH – LIGHT DUTY**

- 1 - LOCATING TAB HOLE
- 2 - LOCATING PIN HOLE
- 3 - U-NUTS (2)
- 4 - BUMPER SUPPORT BRACKETS

- 5 - HITCH
- 6 - BUMPER BRACKET BOLTS (4)
- 7 - HITCH BOLTS (4)

TRAILER HITCH (Continued)



8120eced

**Fig. 36 TRAILER HITCH – HEAVY DUTY**

- 1 - LOCATING TAB HOLE
- 2 - LOCATING PIN HOLE
- 3 - U-NUTS (2)
- 4 - BUMPER SUPPORT BRACKETS

- 5 - HITCH
- 6 - HITCH TO FRAME NUTS (2)
- 7 - BUMPER BRACKET BOLTS (4)
- 8 - HITCH BOLTS (6)

## TRANSFER CASE SKID PLATE

### REMOVAL

(1) Raise and support the vehicle. (Refer to LUBRICATION & MAINTENANCE/HOISTING - STANDARD PROCEDURE)

(2) Support the skid plate and remove the bolts. (Fig. 37)

(3) Remove the skid plate.

(4) Support the skid plate crossmember and remove the bolts.

(5) Remove the skid plate crossmember.

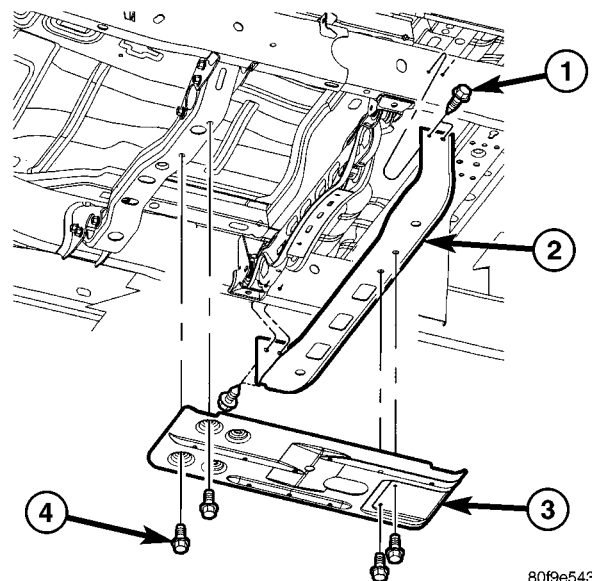
### INSTALLATION

(1) Install the skid plate crossmember and install the bolts.

(2) Tighten the bolts to 34 N·m (25 ft. lbs.).

(3) Install the skid plate and install the bolts.

(4) Tighten the bolts to 34 N·m (25 ft. lbs.).



80f9e543

**Fig. 37 TRANSFER CASE SKID PLATE**

- 1 - CROSSMEMBER BOLTS (4)
- 2 - SKID PLATE CROSSMEMBER
- 3 - SKID PLATE
- 4 - SKID PLATE BOLTS (4)