

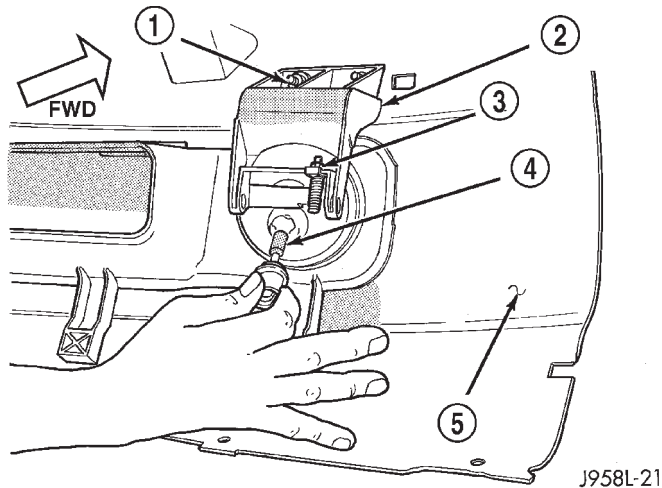
FOG LAMP (Continued)

Additional fog lamp diagnostic procedures listed are for vehicles equipped with quad headlamps and the DRL option.

CONDITION	POSSIBLE CAUSES	CORRECTION
FOG LAMPS ARE INOPERATIVE AND FOG LAMP INDICATOR STAYS ALWAYS ON.	1 Fog lamp/DRL* feed shorted to ground.	1. Check wiring circuit from fog lamp/DRL* fuse to fog lamp.Trace short circuit in wiring and repair.
FOG LAMP INDICATOR COMES ON WITH OUT ILLUMINATING THE FOG LAMPS	1. Fog lamp/DRL* fuse defective.	1. Trace short circuit and replace fuse.
FOG LAMPS INOPERATIVE WITH IGNITION OFF.	Open circuit from fog lamp fuse to fog lamp.	1. Check wiring circuit from fog lamp/DRL* fuse to fog lamp. Trace open circuit in wiring and repair.

**REMOVAL**

- (1) Disconnect and isolate the battery negative cable.
- (2) Disengage fog lamp harness connector.
- (3) Rotate bulb assembly counterclockwise and pull from lamp to separate (Fig. 9).



**Fig. 9 Fog Lamp**

- 1 - NUT
- 2 - FOG LAMP ASSEMBLY
- 3 - UP/DOWN ADJUSTER
- 4 - BULB
- 5 - BUMPER

**INSTALLATION**

**CAUTION:** Do not touch the bulb glass with fingers or other oily surfaces. Reduced bulb life will result.

- (1) Position bulb assembly in lamp and rotate clockwise.
- (2) Connect fog lamp harness connector.
- (3) Connect the battery negative cable.

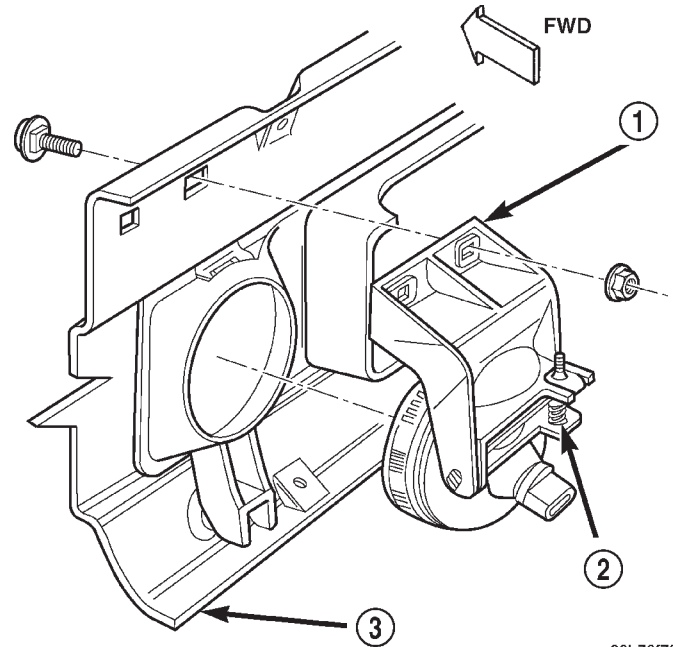
**FOG LAMP UNIT**

**REMOVAL**

**SLT**

The fog lamps are serviced from the rearward side of the front bumper.

- (1) Disconnect and isolate the battery negative cable.
- (2) Disengage fog lamp harness connector.
- (3) Remove fog lamp to bumper attaching nuts (Fig. 10).
- (4) Separate fog lamp from bumper.



**Fig. 10 Fog Lamp**

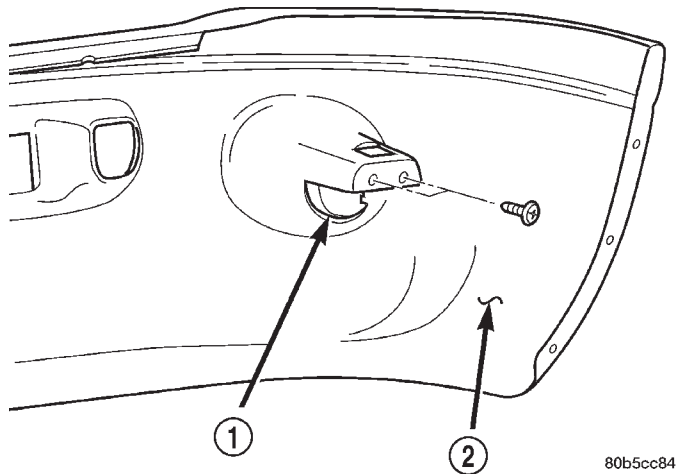
- 1 - FOG LAMP
- 2 - BEAM ADJUSTER
- 3 - BUMPER

## FOG LAMP UNIT (Continued)

**SPORT**

The fog lamps are serviced from the rearward side of the front bumper.

- (1) Disconnect and isolate the battery negative cable.
- (2) Disengage fog lamp harness connector.
- (3) Remove fog lamp to bumper attaching nuts (Fig. 11).
- (4) Separate fog lamp from bumper.



**Fig. 11 Fog Lamp**

- 1 - FOG LAMP
- 2 - BEAM ADJUSTER
- 3 - BUMPER

**INSTALLATION****SLT**

- (1) Position fog lamp in bumper.
- (2) Install fog lamp to bumper attaching nuts.
- (3) Connect fog lamp harness connector.
- (4) Check for proper operation and beam alignment.
- (5) Connect the battery negative cable.

**SPORT**

- (1) Position fog lamp in fascia.
- (2) Install screws attaching fog lamp to fascia.
- (3) Connect wire connector to fog lamp.
- (4) Check for proper operation and beam alignment.
- (5) Connect the battery negative cable.

**ADJUSTMENTS**

Prepare an alignment screen. (Refer to 8 - ELECTRICAL/LAMPS/LIGHTING - EXTERIOR/HEAD-LAMP UNIT - ADJUSTMENTS)

A properly aligned fog lamp will project a pattern on the alignment screen 100 mm (4 in.) below the fog lamp centerline and straight ahead (Fig. 12).

To adjust fog lamp aim, rotate adjustment screw on the rear of fog lamp to achieve the specified height.