

THROTTLE VALVE CABLE (Continued)

The transmission throttle valve is operated by a cam on the throttle lever. The throttle lever is operated by an adjustable cable (Fig. 233). The cable is attached to an arm mounted on the throttle lever shaft. A retaining clip at the engine-end of the cable is removed to provide for cable adjustment. The retaining clip is then installed back onto the throttle valve cable to lock in the adjustment.

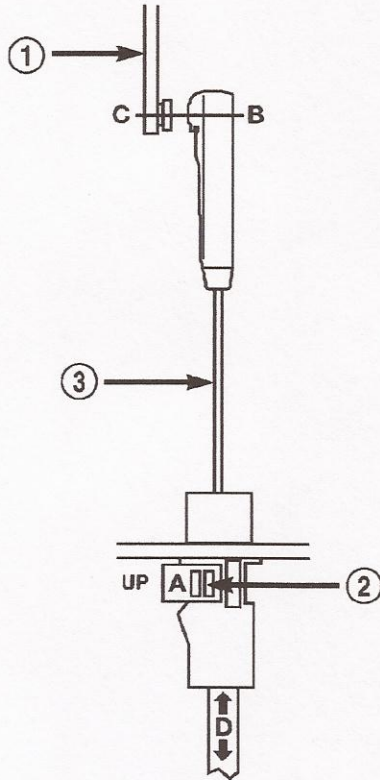


Fig. 233 Throttle Valve Cable at Throttle Linkage

- 1 - THROTTLE LINKAGE
- 2 - THROTTLE VALVE CABLE LOCKING CLIP
- 3 - THROTTLE VALVE CABLE

ADJUSTMENTS - TRANSMISSION THROTTLE VALVE CABLE

A correctly adjusted throttle valve cable will cause the throttle lever on the transmission to move simultaneously with the throttle body lever from the idle position. Proper adjustment will allow simultaneous movement without causing the transmission throttle lever to either move ahead of, or lag behind the lever on the throttle body.

ADJUSTMENT VERIFICATION

- (1) Turn ignition key to OFF position.
- (2) Remove air cleaner.

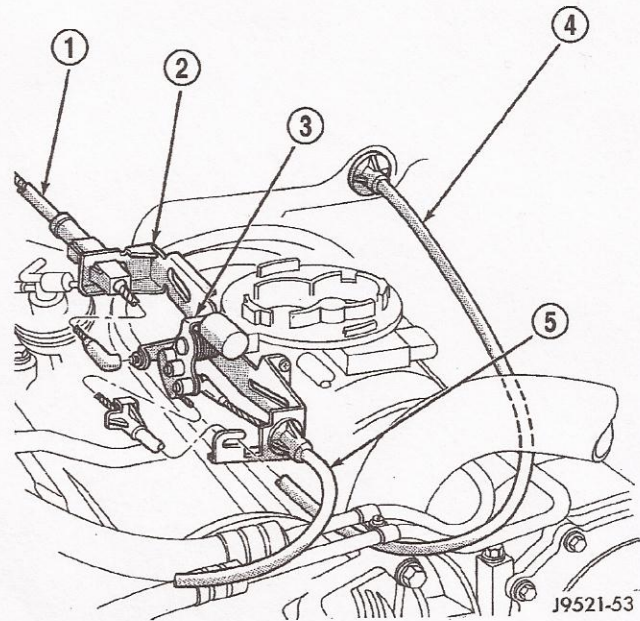


Fig. 234 Throttle Valve Cable Attachment - At Engine

- 1 - THROTTLE VALVE CABLE
- 2 - CABLE BRACKET
- 3 - THROTTLE BODY LEVER
- 4 - ACCELERATOR CABLE
- 5 - SPEED CONTROL CABLE

(3) Verify that lever on throttle body is at curb idle position (Fig. 234). Then verify that the transmission throttle lever (Fig. 235) is also at idle (fully forward) position.

(4) Slide cable off attachment stud on throttle body lever.

(5) Compare position of cable end to attachment stud on throttle body lever:

Cable end and attachment stud should be aligned (or centered on one another) to within 1 mm (0.039 in.) in either direction (Fig. 236).

If cable end and attachment stud are misaligned (off center), cable will have to be adjusted as described in Throttle Valve Cable Adjustment procedure.

(6) Reconnect cable end to attachment stud. Then with aid of a helper, observe movement of transmission throttle lever and lever on throttle body.

If both levers move simultaneously from idle to half-throttle and back to idle position, adjustment is correct.

If transmission throttle lever moves ahead of, or lags behind throttle body lever, cable adjustment will be necessary. Or, if throttle body lever prevents transmission lever from returning to closed position, cable adjustment will be necessary.